

LUMEL

N30P DIGITAL PANEL METER

FEATURES:

- 3-colour display**
- LPConfig compatible**
- MOD BUS**
- RS 485**
- Multipoint Individual characteristic**
- RTC**
- Password protection**

INPUTS:



OUTPUTS:

- 0..20 mA
- 0..10 V
- 2x
- 2x

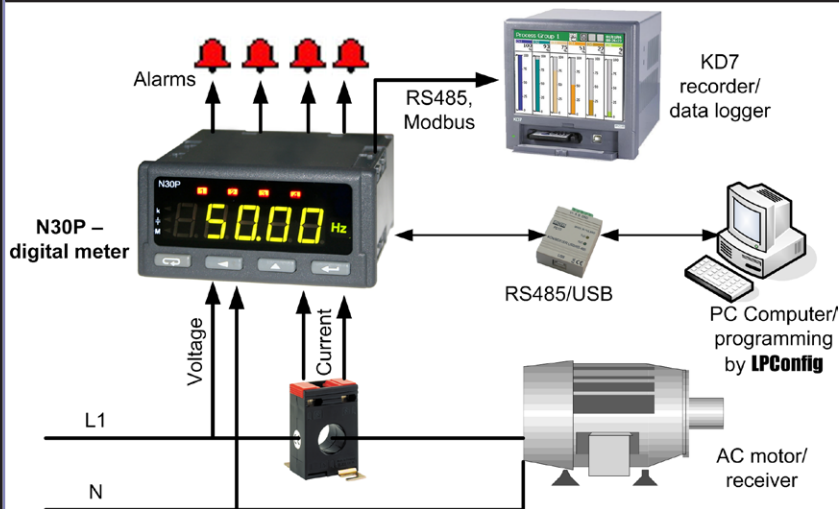
GALVANIC ISOLATION:

-
-
-
- RS 485**



- ✓ Measurement of one wire network parameters,
- ✓ Measured values: voltage, current, active, reactive and apparent power, $\cos \phi$, $\text{tg } \phi$, ϕ , frequency, active, reactive and apparent power, 15 minutes' active power, 10 minutes' voltages, 10 seconds' frequency,
- ✓ Three-colour display with programmable colour ranges,
- ✓ Fully programmable by means of keyboard on the frontal side or by the LPCon software,
- ✓ Up to four alarm outputs operating in 6 different modes,
- ✓ storage of all maximal and minimal values for all input quantities

EXAMPLES OF APPLICATION



Monitoring and activation of 1-phase energy consumption of 1-phase or 3-phase symmetrically loaded a.c. motor/receiver.

INPUTS

Input kind	Measuring range	min..max signal value	Ratio values	Remarks
Voltage input	0..100V or 0..400V	0.05..1.2 Un	0.1..4000.0	0..01..1.2 In; 0..01..1.2 Un for PF, tg ϕ , ϕ coefficient frequency: 45..66..100Hz sinusoidal (THD \leq 8%)
Current input	0..1 A or 0..5 A	0.005..1.2 In	1..10000	

MEASURING RANGES

Measured value	Indication range	Measuring range	Basic error
Current 1/5 A	0.000..60 kA	0,02..6 A a.c.	$\pm 0.2\%$
Voltage 100/400 V	0.0..192 MV	1..480 V a.c.	$\pm 0.2\%$
Frequency	45.00..100.00 Hz	45.00..66.00..100.00 Hz	$\pm 0.2\%$
Active power	-19999..99999 MW	-2.88 kW..1,40 W..2.88 kW	$\pm 0.5\%$
Reactive power	-19999..99999 Mvar	-2.88 kvar..1,40 var..2.88 kvar	$\pm 0.5\%$
Apparent power	0,00..99999 MVA	1.40 VA..2.88 kVA	$\pm 0.5\%$
Coefficient PF	-1..1	-1..0..1	$\pm 0.5\%$
Tangens ϕ	-1.2..1.2	-1.2..0..1.2	$\pm 1\%$
ϕ	0..359	0..359	$\pm 1\%$
Active energy	0..9 999 999.9 kWh	0..9 999 999.9 kWh	$\pm 0.5\%$
Reactive energy	0..9 999 999.9 kVarh	0..9 999 999.9 kVarh	$\pm 0.5\%$
Apparent energy	0..9 999 999.9 kVA	0..9 999 999.9 kVA	$\pm 0.5\%$
Current time	0.00..23.59	0.00..23.59	1 sec/ 24 h

OUTPUTS

Output kind	Properties	Remarks
Relay output	• 2 x relays, voltageless NO contacts, load-carrying capacity 250 V a.c./ 0,5 A a.c. • 2 x relays, voltageless switched contacts, load-carrying capacity 250 V a.c./ 0,5 A a.c.	position 2 optional
Analog output	• current programmable 0/4..20mA, load resistance \leq 500 Ω • voltage programmable 0..10V, load resistance \geq 500 Ω • resolution 0.01 % of the range	optional
Energy pulse output	• OC type, passive; supply: voltage 18..27V, current 10..27mA; A class acc. to EN 62053-31 • Pulse constant: 5000 imp./kWh, independently of KU and Ki settings	optional

Export department:
 English: +48 68 32 95 302 / 321 / 276 / 386 / 233
 German: +48 68 32 95 305
 French: +48 68 32 95 304
 Russian: +48 68 32 95 321
 Fax: +48 68 32 54 091
 e-mail: export@lumel.com.pl

LUMEL S.A.
 ul. Sulechowska 1
 65-022 Zielona Góra
 POLAND
 WWW.LUMEL.COM.PL

DIGITAL INTERFACES

Interface type	transmission protocol	modes	baud rates
RS-485	MODBUS RTU	8N2, 8E1, 8O1, 8N1	4.8, 9.6, 19.2, 38.4 kbit/s

EXTERNAL FEATURES

Readout field	5 digit LED display - indication range -19999..99999 digit height: 14 mm	three-colour display (colour changes depending on displayed value): red, green, orange
Weight	< 0.2 kg	
Dimensions	96 x 48 x 93 mm	Panel cut out: 92 ^{+0,6} x 45 ^{+0,6} mm
Protection level (acc. to EN 60529)	from frontal side: IP65	from rear side: IP10

RATED OPERATING CONDITIONS

Supply voltage	85..253 V a.c./d.c. (40..400Hz)	Power consumption < 6 VA
Temperature	ambient: -25..23..55 °C	storage: -33..70 °C
Relative humidity	25..95%	condensation inadmissible
Working position	any	
external magnetic field	0..400 A/m	

SAFETY AND COMPATIBILITY REQUIREMENTS

Electromagnetic compatibility	Noise immunity	acc. to EN 61000-6-2
	Noise emission	acc. to EN 61000-6-4
Safety requirements		acc. to EN 61010-1

CONNECTION DIAGRAMS

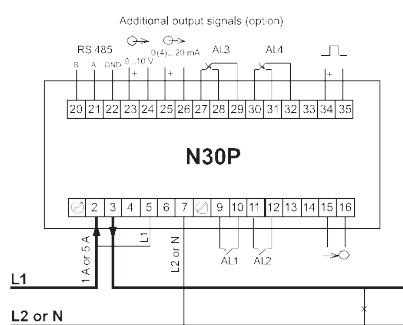


Fig. 1 Electrical connections of the N30P meter for direct measurements.

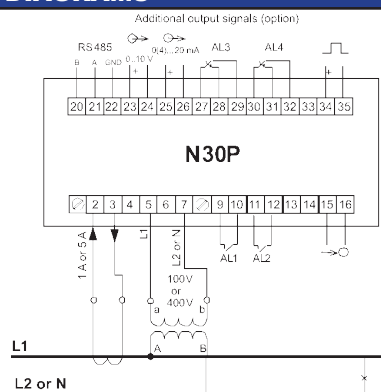


Fig. 2 Electrical connections of the N30P meter for indirect measurements.

SEE ALSO:



Free LPConfig software for easy programming. Available on our website



Current transformers with inputs from 5A up to 6kA, for more details check our CURRENT TRANSFORMERS catalogue



N14 meter for measurement of three phase network parameters. For more details check our MEASUREMENT OF POWER NETWORK PARAMETERS catalogue

ORDERING

TABLE 1. ORDERING CODES:

N30P -	X	X	XX	XX	X
Supply voltage:					
85..253 V a.c./d.c.	1				
20..40 V a.c./d.c.	2				
Additional outputs:					
lack		0			
pulse output, RS-485, analog outputs		1			
pulse output, RS-485, analog outputs					
switched-over relay outputs AL3, AL4			2		
Unit					
unit code acc. to the table 2				XX	
Kind of execution:					
standard					00
custom-made*					XX
Acceptance tests:					
without extra requirements					8
with an extra quality inspection certificate					7
acc. to customer's agreements					X

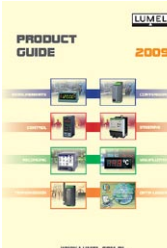
Order example:

The code **N30P - 1 0 01 00 8** means
N30P - programmable N30P panel digital meter
1 - supply: 85..253 V AC/DC
0 - lack of additional outputs
01 - unit "V" acc. to codes tabel 2
00 - standard execution
8 - without extra requirements

TABLE 2. CODES OF HIGHLIGHTED UNIT:

Code	Unit	Code	Unit	Code	Unit
00	lack of unit	20	kVAh	40	pcs
01	V	21	MVAh	41	imp
02	A	22	Hz	42	rps
03	mV	23	kHz	43	m/s
04	kV	24	Ω	44	l/s
05	mA	25	kΩ	45	turns/min
06	kA	26	C	46	rpm
07	W	27	F	47	mm/min
08	kW	28	K	48	m/min
09	MW	29	%	49	l/min
10	var	30	%RH	50	m ³ /min
11	kvar	31	pH	51	pcs/h
12	Mvar	32	kg	52	m/h
13	VA	33	bar	53	km/h
14	kVA	34	m	54	m ³ /h
15	MVA	35	l	55	kg/h
16	kWh	36	s	56	l/h
17	MWh	37	h		
18	kvarh	38	m ³	XX	on order*
19	Mvarh	39	obr		

* - the code will be established by the manufacturer



For more information about products check Product Guide 2009 catalogue or visit our website.

Export department:

English: +48 68 32 95 302 / 321 / 276 / 386 / 233
 German: +48 68 32 95 305
 French: +48 68 32 95 304
 Russian: +48 68 32 95 321
 Fax: +48 68 32 54 091
 e-mail: export@lumel.com.pl

LUMEL S.A.
 ul. Sulechowska 1
 65-022 Zielona Góra
 POLAND
WWW.LUMEL.COM.PL