

FEATURES:

- 3-colour display**
- IPConfig compatible**
- MOD BUS**
- RS 485**
- Multipoint Individual characteristic**
- RTC**
- Password protection**

INPUTS:

- Hz**
- Flowmeter (gas, water)**
- pulses**
- Start**
- Stop/Set**

OUTPUTS:

- 0..20 mA**
- 0..10 V**
- u**
- 2x**

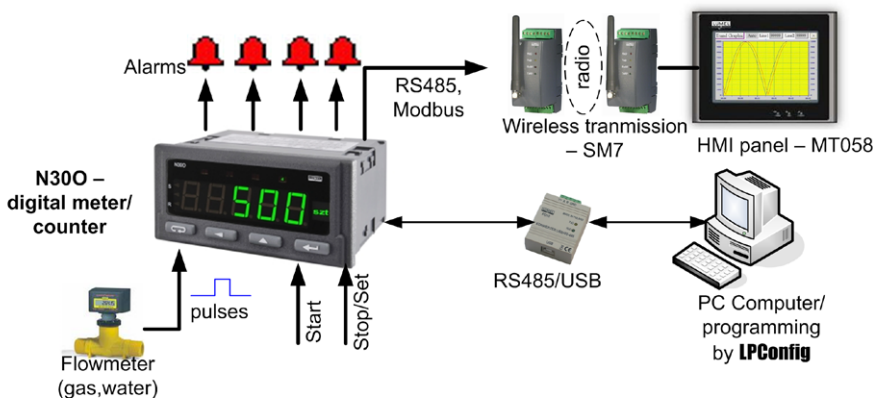
GALVANIC ISOLATION:

- Sup.**
- RS 485**



- ✓ display colour individually programmed in three ranges,
- ✓ 2 x NO relay alarms operating in 6 modes,
- ✓ 2 x switched relay alarms with a switching contact operating in 6 modes (option),
- ✓ signaling of measuring range overflow,
- ✓ real-time clock with the function of the clock supply support in case of the meter supply decay,
- ✓ signaling of alarm operation – switching the alarm on causes the backlight of the output number,
- ✓ programming of alarm and analog outputs with the reaction on the chosen input quantity (main or auxiliary input),
- ✓ programmed averaging time – function of walking window with the averaging time up to 1 hour

EXAMPLES OF APPLICATION



Monitoring and visualization of the water/gas flow. Measured pulses are transmitted to the HMI operating panel via radio modules.

INPUTS

Input signal:	Input kind	Indication range	Maximal frequency of input signal	Class	Remarks
voltage 5..36VDC	Number of pulses Cntr	-19 999..99 999	100 kHz	-	Duration of control signals must be higher than 10 ms.
	Frequency < 10 kHz	0.05..99 999 Hz		0,01	
	Frequency > 10 kHz	1..99 999 Hz (measuring range up to 1 MHz)	1 MHz	0,01	
	Rotational speed	0.05..99 999 [rpm]	100 kHz	0,01	
	Period t<10s	0.0001..11 [s]		0,01	
	Period t>10s	0.0001..3600 [s]		0,01	
-	Worktime counter	0..99 999 [h]		0,5 sec/24 h	
	Current time	00.00..23.59		0,5 sec/24 h	
	Encoder	-19 999..99 999			

OUTPUTS

Output kind	Properties	Remarks
Relay output	<ul style="list-style-type: none"> • 2 x relays, voltageless NOC contacts load-carrying capacity 250 V a.c./ 0,5 A a.c. • 2 x relays, voltageless switched contacts load-carrying capacity 250 V a.c./ 0,5 A a.c. 	position 2 optional
Analog output	<ul style="list-style-type: none"> • current programmable 0/4..20mA, load resistance ≤ 500 Ω • voltage programmable 0..10V load resistance ≥ 500 Ω 	optional Error of analogue output: 0,2% of the set range Additional error from temperature changes: 50% of the class/10K
OC output	• OC type, passive npn, 30V d.c./30mA	optional
Auxiliary supply	• 24 V d.c./ 30mA	optional

DIGITAL INTERFACE

Interface type	transmission protocol	modes	baud rates
RS-485	MODBUS RTU	8N2, 8E1, 8O1, 8N1	4.8, 9.6, 19.2, 38.4 kbit/s

Export department:
 English: +48 68 32 95 302 / 321 / 276 / 386 / 233
 German: +48 68 32 95 305
 French: +48 68 32 95 304
 Russian: +48 68 32 95 321
 Fax: +48 68 32 54 091
 e-mail: export@lumel.com.pl

LUMEL S.A.
 ul. Sulechowska 1
 65-022 Zielona Góra
 POLAND

WWW.LUMEL.COM.PL

EXTERNAL FEATURES

Readout field	5 digit LED display - indication range -19999..99999 digit height: 14 mm	three-colour display (colour changes depending on displayed value): red, green, orange
Weight	< 0,2 kg	
Dimensions	96 x 48 x 93 mm	Panel cut out: 92 ^{+0,6} x 45 ^{+0,6} mm
Protection level (acc. to EN 60529)	from frontal side: IP65	from rear side: IP10

RATED OPERATING CONDITIONS

Supply voltage	85..253 V a.c./d.c. (40..400Hz) or 20..40 V a.c./d.c. (40..400Hz)	
Temperature	ambient: -25..23..55 °C	storage: -33..70 °C
Relative humidity	25..95%	condensation inadmissible
Working position	any	
External magnetic field	0..40..400 A/m	

SAFETY AND COMPATIBILITY REQUIREMENTS

Electromagnetic compatibility	Noise immunity	acc. to EN 61000-6-2
	Noise emission	acc. to EN 61000-6-4
Insulation between circuits	basic	acc. to EN 61010-1
Pollution degree	2	
Installation category	III	
Maximal phase-to-earth working voltage	for the supply circuit: 300V for remaining circuits: 50V	
Altitude above sea level	<2000 m	

CONNECTION DIAGRAMS

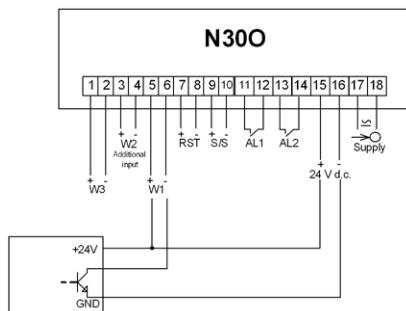


Fig. 1. Connection of the transducer with the OC output of NPN type

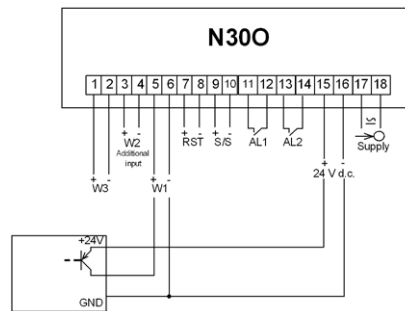


Fig. 2. Connection of the transducer with the OC output of NPN type

ORDERING

TABLE 1. ORDERING CODES:

	N30P	-	X	X	XX	XX	X
Supply voltage:							
85..253 V a.c./d.c.			1				
20..40 V a.c./d.c.			2				
Additional outputs:							
lack					0		
pulse output, RS-485, analog outputs					1		
pulse output, RS-485, analog outputs					2		
switched-over relay outputs AL3, AL4							
Unit						XX	
unit code acc. to the table 2							
Kind of execution:							
standard							00
custom-made*							XX
Acceptance tests:							
without extra requirements							8
with an extra quality inspection certificate							7
acc. to customer's agreements							X

* - the code will be established by the manufacturer

Order example:

The code **N300 - 1 0 12 00 8** means
N300 - programmable N30U panel digital meter
1 - supply: 85..253 V AC/DC
0 - lack of additional outputs
01 - unit "Hz" acc. to codes tabel
00 - standard execution
8 - without extra requirements

TABLE 2. CODES OF HIGHLIGHTED UNIT:

Code	Unit	Code	Unit	Code	Unit
00	lack of unit	20	kVAh	40	pcs
01	V	21	MVAh	41	imp
02	A	22	Hz	42	rps
03	mV	23	kHz	43	m/s
04	kV	24	Ω	44	l/s
05	mA	25	kΩ	45	turns/min
06	kA	26	°C	46	rpm
07	W	27	°F	47	mm/min
08	kW	28	K	48	m/min
09	MW	29	%	49	l/min
10	var	30	%RH	50	m ³ /min
11	kvar	31	pH	51	pcs/h
12	Mvar	32	kg	52	m/h
13	VA	33	bar	53	km/h
14	kVA	34	m	54	m ³ /h
15	MVA	35	l	55	kg/h
16	kWh	36	s	56	l/h
17	MWh	37	h		
18	kvarh	38	m ³	XX	on order*
19	Mvarh	39	obr		

* - the code will be established by the manufacturer

SEE ALSO:



Free LPConfig software for easy programming of LUMEL's products. Available on our website



KD7 recorder with MODBUS master protocol for recording data measured by N30H meter. Check RECORDERS catalogue.



SM3 binary inputs module. For readout of binary states and pulses through RS-485 protocol. Check MODULES catalogue.



For more information about products check Product Guide 2009 catalogue or visit our website.

Export department:
 English: +48 68 32 95 302 / 302 / 321 / 276 / 386 / 233
 German: +48 68 32 95 305
 French: +48 68 32 95 304
 Russian: +48 68 32 95 321
 Fax: +48 68 32 54 091
 e-mail: export@lumel.com.pl

LUMEL S.A.
 ul. Sulechowska 1
 65-022 Zielona Góra
 POLAND
WWW.LUMEL.COM.PL